

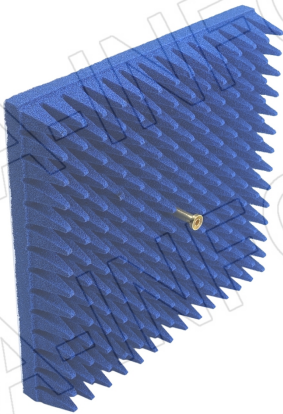
For reference only. See data sheet for the detailed specifications.

## Technical Specification

LB-ACH-19-10-C-1.85F



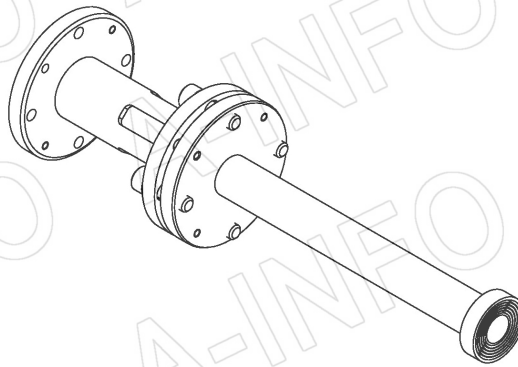
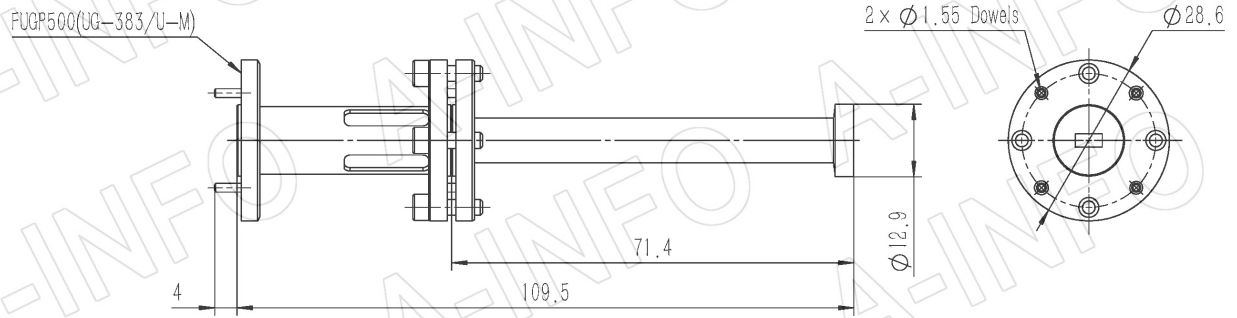
LB-ACH-19-10-C-1.85F-A1



Frequency Range(GHz)	A Type, WG output:	40.0 - 60.0
	C Type, 2.4mm-F:	40.0 - 50.0
	C Type, 1.85mm-F:	40.0 - 60.0
Waveguide	WR19	
Gain(dBi)	10 Typ.	
Polarization	Linear	
3dB Beamwidth(deg)	E Plane:	54 Typ.
	H Plane:	51 Typ.
10dB Beamwidth(deg)	E Plane:	100 Typ.
	H Plane:	100 Typ.
Cross Pol. Isolation(dB)	25 Typ.	
VSWR	A Type:	1.20:1 Typ.
	C Type:	1.40:1 Typ.
Output	A Type:	FUGP500(UG-383/U-M)
	C Type:	1.85mm-Female or 2.4mm-Female
Material	Cu	
Finish	Gold Plated	
Size(mm)	A Type:	28.6 x 28.6 x 109.5
	C Type:	28.6 x 31.3 x 135.5
	A-A1:	259 x 259 x 109.5
	C-1.85F-A1:	259 x 259 x 135.5
Net Weight(Kg)	A Type:	0.09 Around
	C Type:	0.13 Around
	A-A1:	1.22 Around
	C-1.85F-A1:	1.25 Around

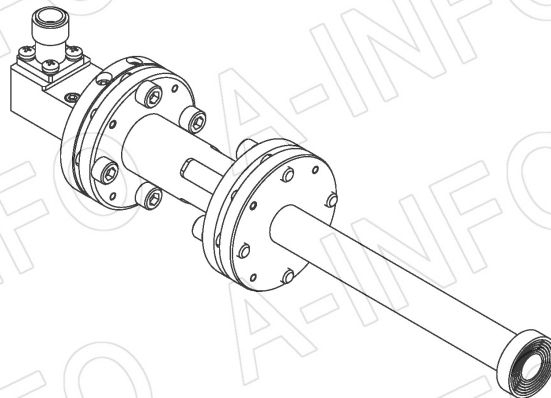
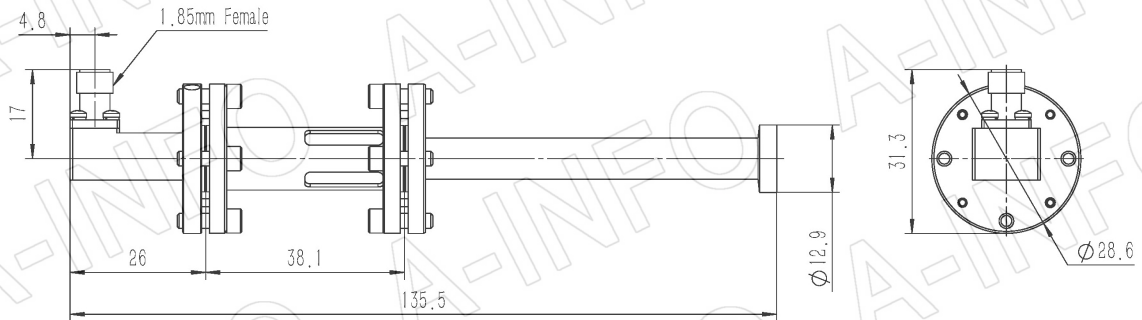
## Outline Drawing (Size: mm)

FUGP500 Output (P/N: LB-ACH-19-10-A)

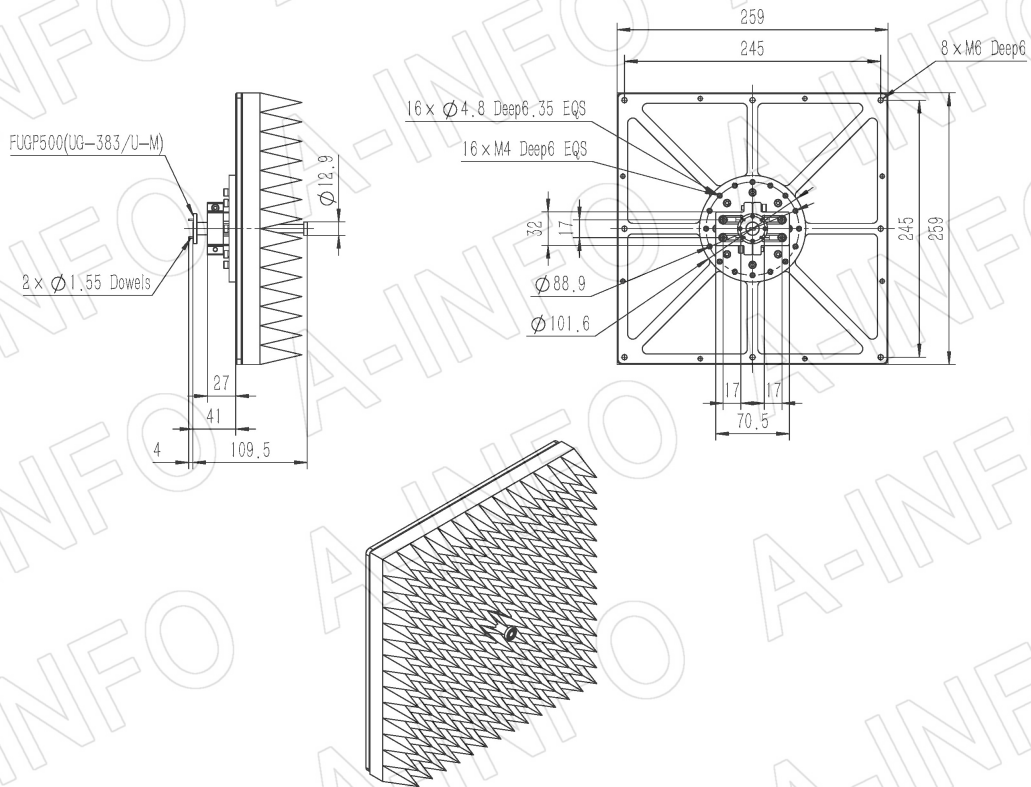


## 1.85mm-Female Output (P/N: LB-ACH-19-10-C-1.85F)

For 2.4mm-Female output outline drawing, please contact A-INFO.

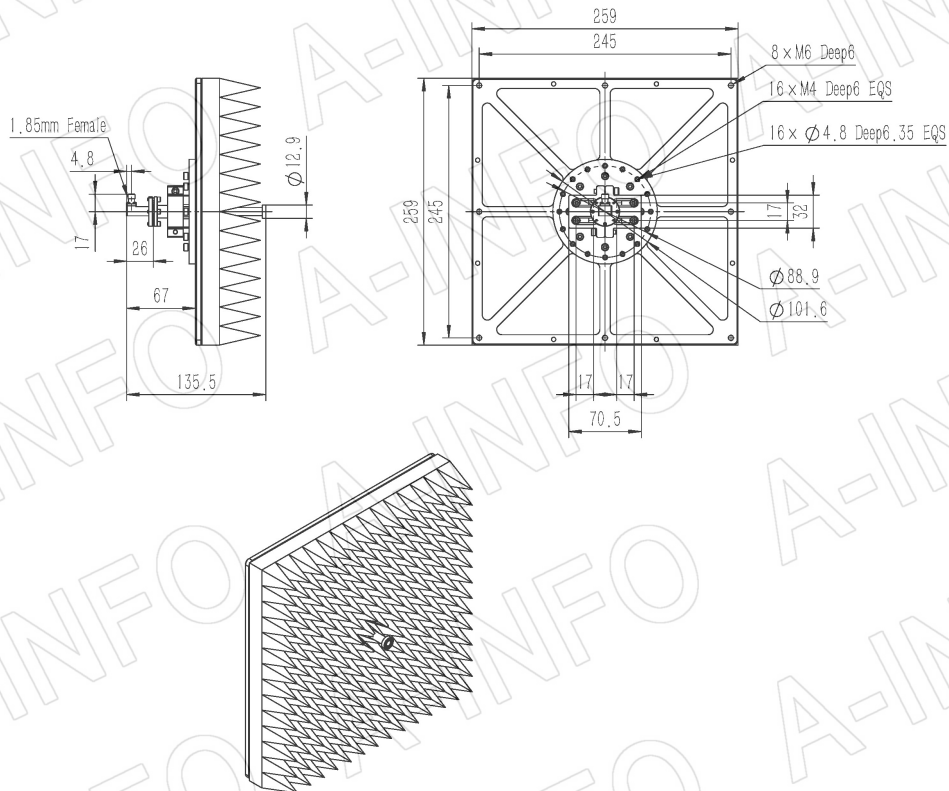


**FUGP500 Output, Equipped with Absorber (Option, P/N: LB-ACH-19-10-A-A1)**



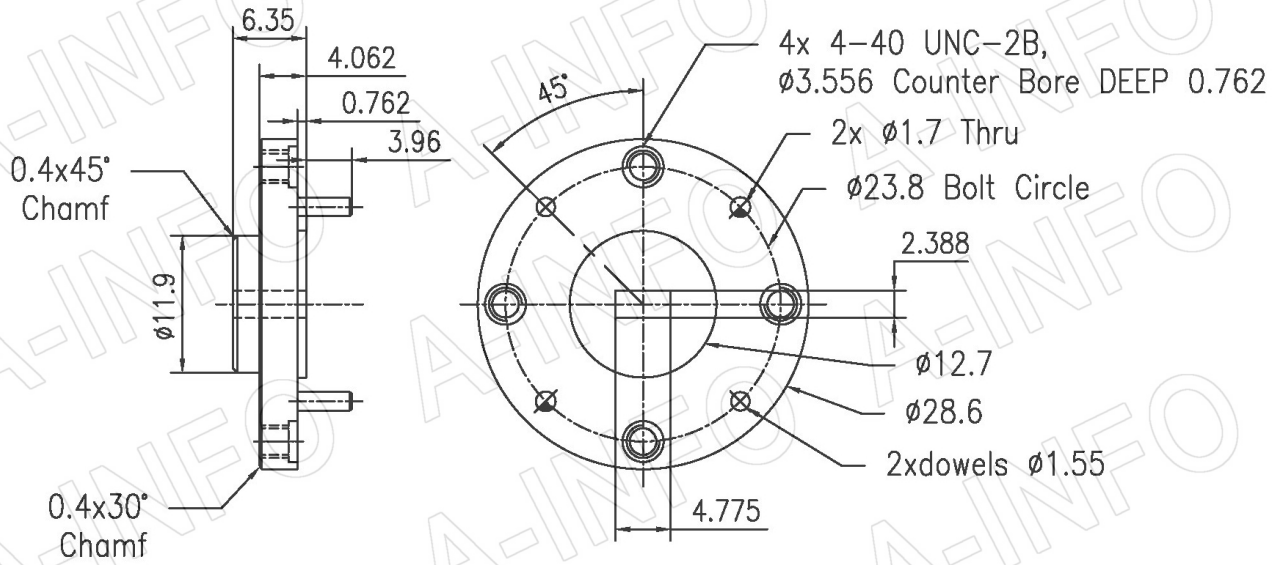
**1.85mm-Female Output, Equipped with Absorber (Option, P/N: LB-ACH-19-10-C-1.85F-A1)**

For 2.4mm-Female output outline drawing, please contact A-INFO.





## Flange Drawing (Size: mm)

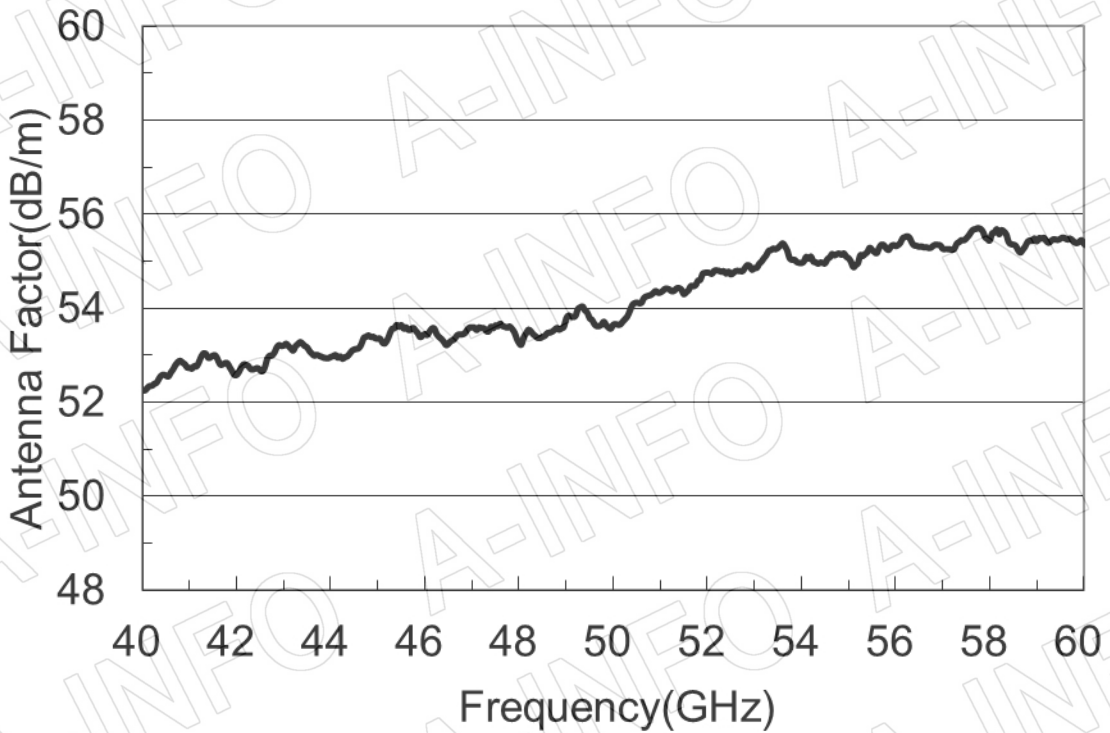
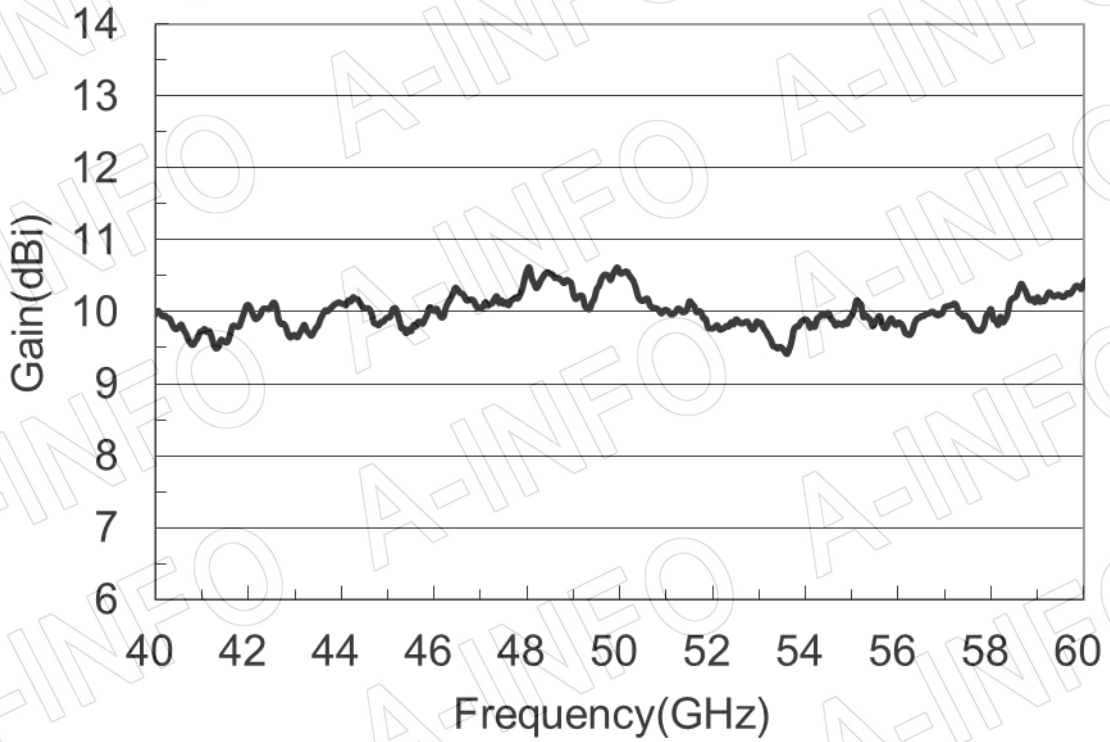


FUGP500  
(equivalent to UG-383/U-M)

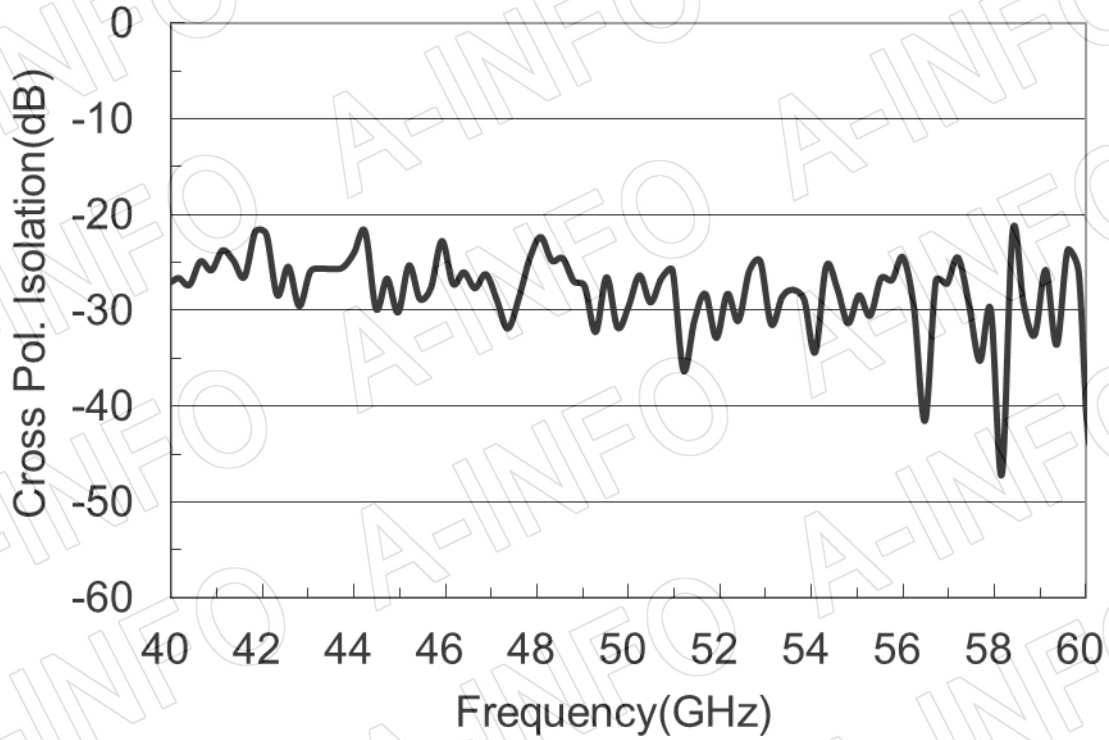


## Test Results

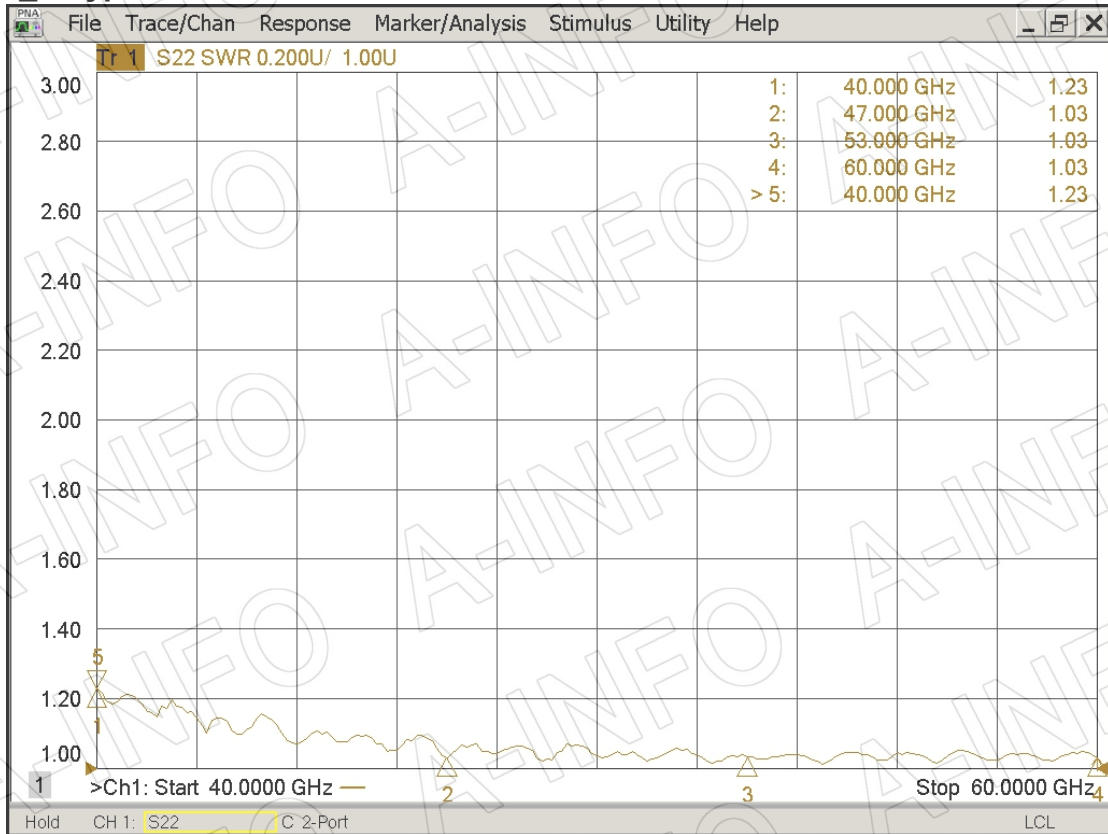
### 1. Gain & Antenna Factor



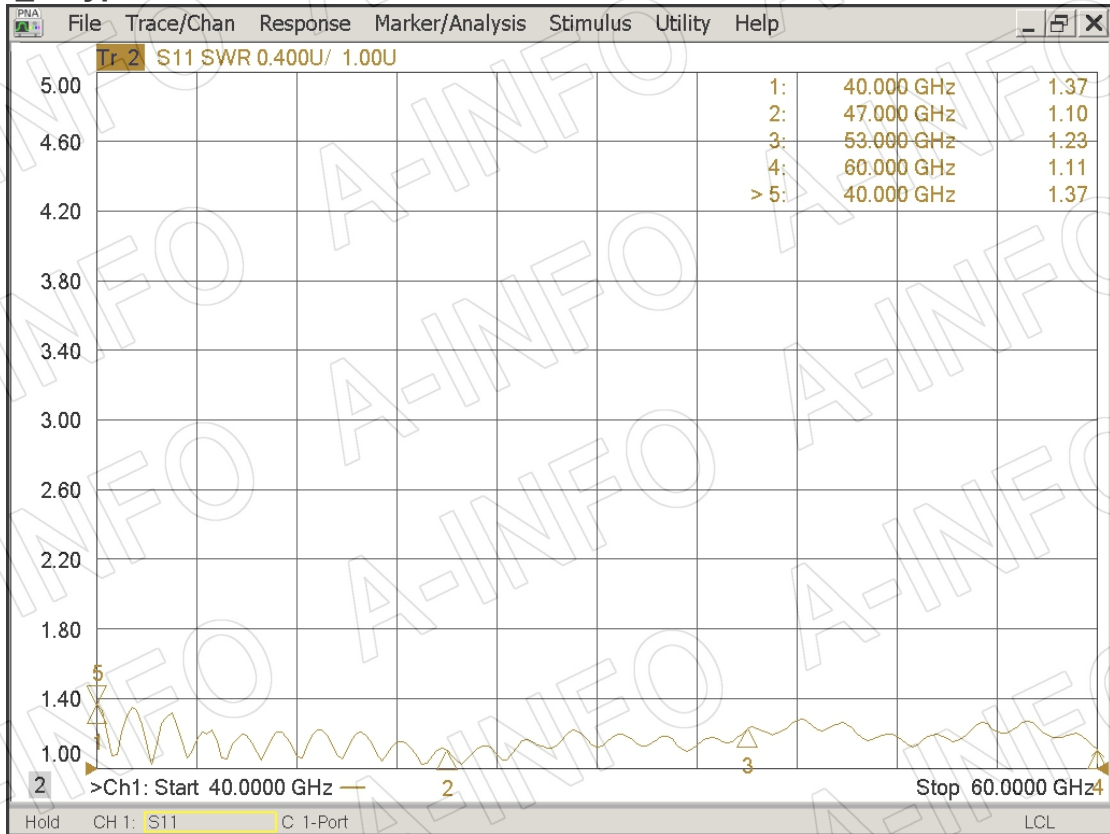
## 2. Cross Polarization Isolation



## 3. VSWR\_A Type



## VSWR\_C Type



## 4. Pattern

